

# “tap-it Connect”

“tap-it Connect” ARE THE KEY TO MOBILE Connectivity OF THE FUTURE

2015. 1. 16

# tap-it Connect Reader( TT-NC200 )

NFC Reader Device Supporting NFC Forum Tag

## tap-it Connect SDK

- Card Reader
- NDEF Library
- Sample Project
- Open Source

Android

Windows

USB

Serial

Bluetooth

## 제품의 종류

- Product Name : TT-NC200
- Interface : USB , USBtoSerial( Connector )
- Support O/S :
  - Windows , Android
- Logo Print is capable on Case Front
- Delivered by Dongle type , Board type



NFC Tag ( ntag 203 )

- NFC Antenna Size
  - ✓ 96.2 x 64.3 mm
- Case Dimension
  - ✓ 105.4 x 70.5 x 18.5 mm

- LED Indicator
  - ✓ Ready
  - ✓ Run
  - ✓ Pass
  - ✓ Error

# tap-it Connect SmartNFC( TT-NC200 )

## tap-it Connect SDK

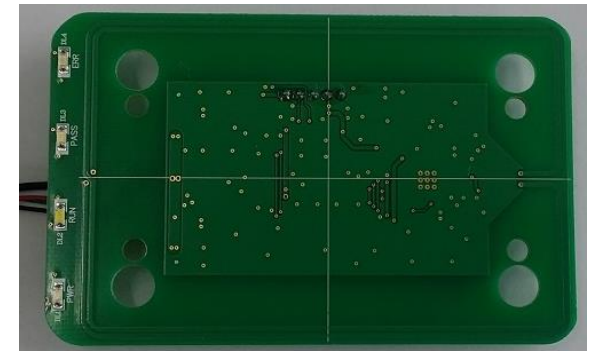
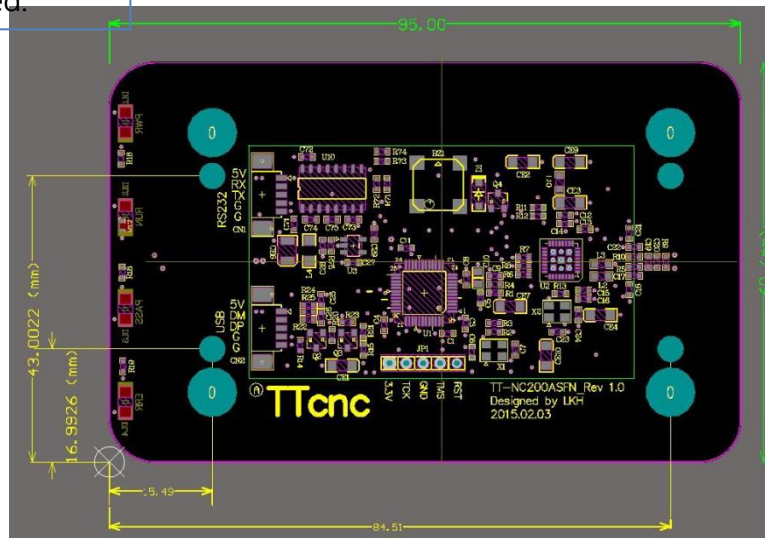
- Card Reader
- NDEF Library
- Support O/S
  - ✓ Windows
  - ✓ Android

## Board Type

- TT-NC200 support
- Connected to MCU
- 5 Pin Connect
  - ✓ Standard
  - ✓ User Required.

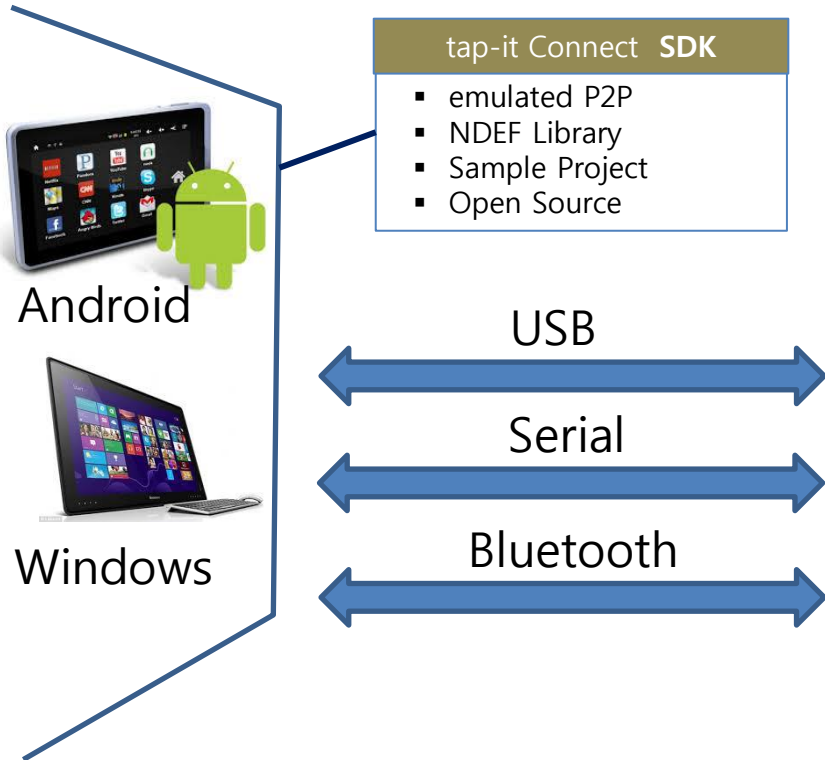
## Card Reader Functions

- ISO 14443A Support , Ntag , NXP Ultralight , NXP Ultralight C
  - Read Tag UID
  - Anti-Collision
  - Read Memory , Write Memory
  - NDEF Read , NDEF Write ( NFC Forum NDEF Format )
  - Tag Write Protection
  - NFC Forum NDEF Format
    - \* Text , Uri , Tel , Sms , SocialLink , Sp , Bluetooth Pairing , Wifi Pairing
    - \* Geo Location , AAR
- Sample Project
  - Open Source



# tap-it Connect SmartNFC( TT-NC200 )

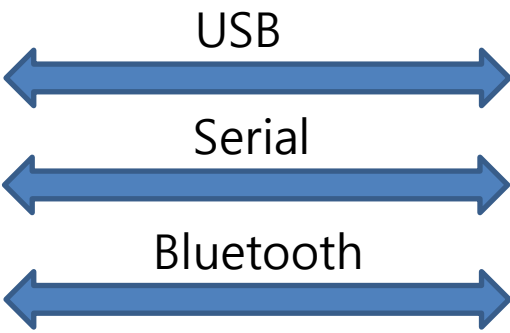
NFC SmartNFC Device Supporting Peer-to-peer communicate with SmartPhone



- tap-it Connect SDK
- emulated P2P
  - NDEF Library
  - Sample Project
  - Open Source

Android

Windows



NFC Smartphone

- 제품의 종류
- Product Name : TT-NC200
  - Interface : USB , USBtoSerial( Connector )
  - Support O/S :
    - Windows , Android
  - Logo Print is capable on Case Front
  - Delivered by Dongle type , Board type

- NFC Antenna Size
  - ✓ 96.2 x 64.3 mm
- Case Dimension
  - ✓ 105.4 x 70.5 x 18.5 mm

- LED Indicator
  - ✓ Ready
  - ✓ Run
  - ✓ Pass
  - ✓ Error

# tap-it Connect SmartNFC( TT-NC200 )

## tap-it Connect SDK

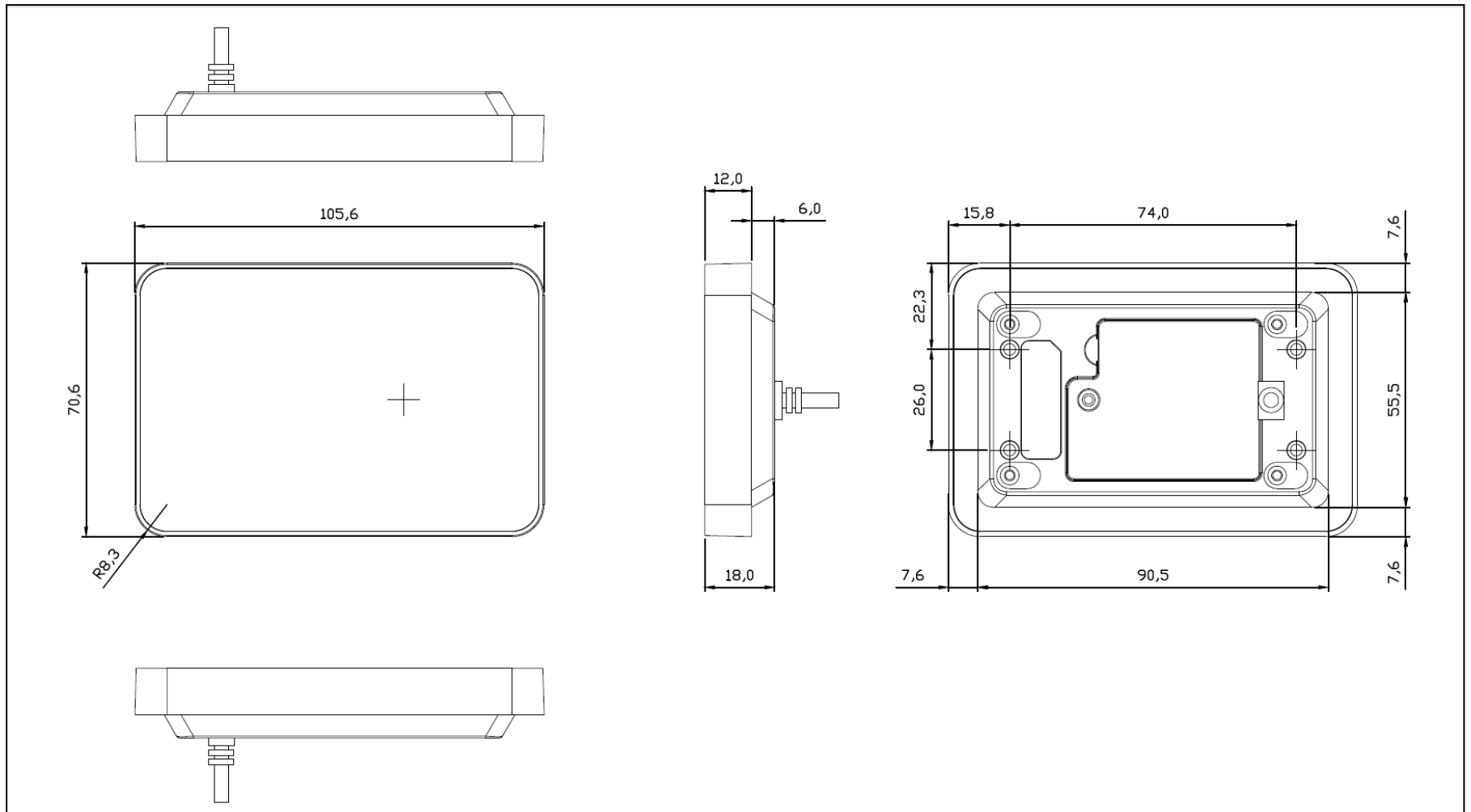
- emulated P2P
- Tag Action
- Tag NDEF write/read
- NDEF Library
- AES 128bit Algorithm
- Authentication Process
- Support O/S
  - ✓ Windows
  - ✓ Android

## SmartNFC Functions

- ISO 14443A Support
- All Android smartphone supporting NFC
- emulated P2P communication
  - > Session Application Naming
  - > Short Message Put / Get
  - > Data Send / Receive
  - > Image Send / Receive
  - > unlimited transit data size
- Tag Action
  - > NDEF format Write / Read
  - > NFC Forum NDEF Format
    - \* Text , Uri , Tel , Sms , SocialLink , Sp , Bluetooth Pairing , Wifi Pairing
    - \* Geo Location , AAR
- AES128 Bit Encryption Algorithm
- Authentication Process
  - Encryption Algorithm
  - 2 Factor
  - Mutual 3-pass Authentication Algorithm
- Sample Project
- Open Source

# tap-it Connect SmartNFC( TT-NC200 )

## CAD 도면 ( Dimension )



# NFC Label Tag Type 2

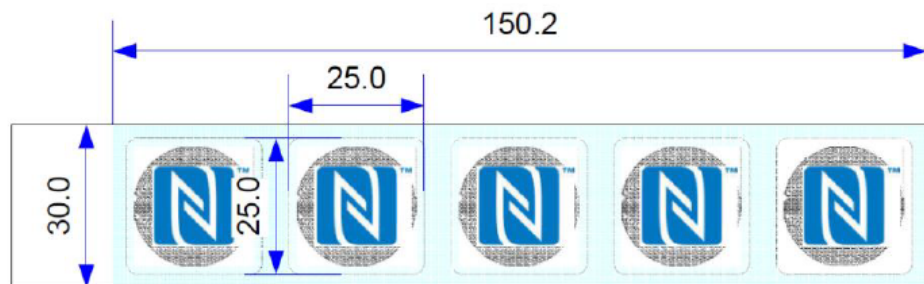
NFC Label Tag  
Type 2  
Sales code HSN2525

## Preliminary Product Specification



### Mechanical dimensions

A	Label height	25mm	±0.5mm
B	Label width	25mm	±0.5mm
C	Web height	30mm	±0.5mm
	Thickness of the IC	120um	±10%
	Overall thickness of the transponder package (excluding IC and siliconized PET)	290um	±10%



Real image